



- 家用电器通用型电源滤波器  
White goods general purpose power filter
- 卓越的性价比  
Excellent performance to cost

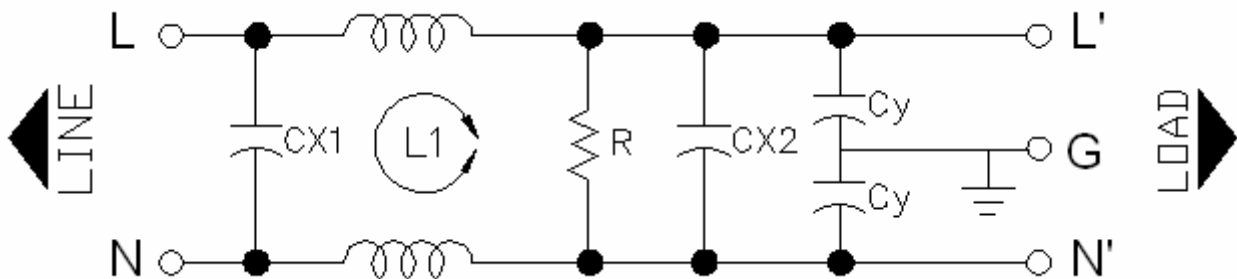
### 应用 Application

- 用于洗衣机、吸尘器、洗碗机及其它家电系列  
Available for electronic equipments and measuring instruments

### 技术参数 Technical Data

额定电压 Rated Voltage	250VAC
工作频率 Operation Frequency	50/60Hz
额定电流 Rated Current	4-16A
耐压测试 Hi-pot Test	1450VDC, 2 sec (线对线 Line to Line) 2250VDC 2sec (线对地 Line to Ground)
气候类别 Climate Category	25/85/21 (-25°C to +85°C)
设计参考标准 Design corresponding to	UL 1283, CSA 22.2 No. 8 1986, IEC/EN 60939

### 电路原理图 Electrical Schematic



**选型表 Type Selection Table**

型号 Model	额定电流 (A) Rated Current	L mH	Cx1 uF	Cx2 uF	Cy nF	R MΩ	电路图 Circuit Diagram	外形图 Outdrawing
DF500-4A-1x	4	3	-	0.33	2.2	0.68	Fig 1	Fig 1
DF500-4A-2x	4	3	-	0.47	3.3	2.2	Fig 1	Fig 1
DF500-4A -3x	4	3	0.47	0.68	10	2.2	Fig 1	Fig 1
DF500-10A-1x	10	2	-	0.33	2.2	0.68	Fig 1	Fig 1
DF500-10A-2x	10	2	-	0.47	3.3	2.2	Fig 1	Fig 1
DF500-10A-3x	10	2	0.47	0.68	10	2.2	Fig 1	Fig 1
DF500-16A-1x	16	1	-	0.33	2.2	0.68	Fig 1	Fig 1
DF500-16A-2 x	16	1	-	0.47	3.3	2.2	Fig 1	Fig 1
DF500-16A-3 x	16	2	0.47	0.68	10	2.2	Fig 1	Fig 1
DF502-4A-1x	4	3	-	0.33	2.2	0.68	Fig 1	Fig 2
DF502-4A-2x	4	3	-	0.47	3.3	2.2	Fig 1	Fig 2
DF502-4A -3x	4	3	0.47	0.68	10	2.2	Fig 1	Fig 2
DF502-10A-1x	10	2	-	0.33	2.2	0.68	Fig 1	Fig 2
DF502-10A-2x	10	2	-	0.47	3.3	2.2	Fig 1	Fig 2
DF502-10A-3x	10	2	0.47	0.68	10	2.2	Fig 1	Fig 2
DF502-16A-1x	16	1	-	0.33	2.2	0.68	Fig 1	Fig 2
DF502-16A-2 x	16	1	-	0.47	3.3	2.2	Fig 1	Fig 2
DF502-16A-3 x	16	1	0.47	0.68	10	2.2	Fig 1	Fig 2

x 为 0-9 的数字，代表不同的产品，上选型表仅列出当 x=0 时的电路图参数。

x represent the number from 0 to 9 for different products. Above list just shows the schematic parameter when x=0.

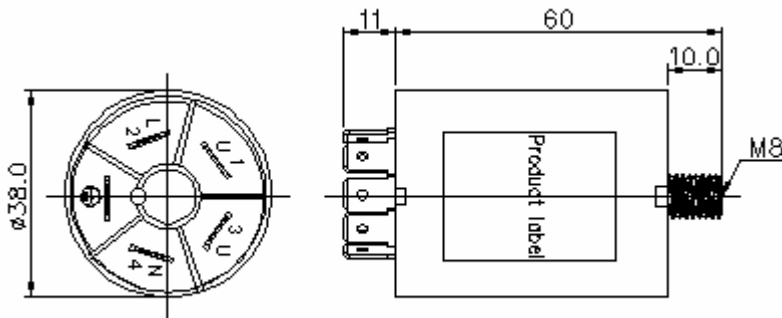


Fig 1

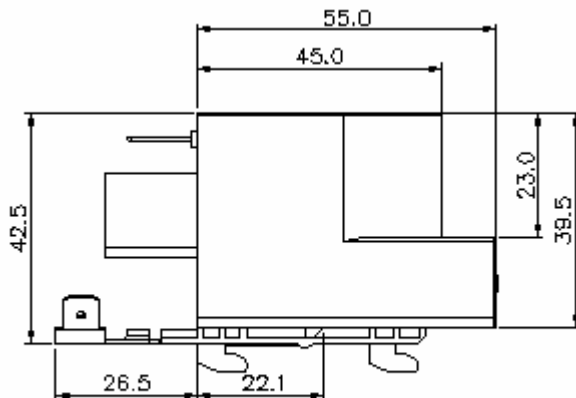


Fig 2

**插入损耗 Insertion Loss in dB**

(50Ω/50Ω 环境下插入损耗 Insertion Loss in dB measured in a 50Ω/50Ωsystem, as IEC/CISPR No. 17 )

DF200 Serials Common Mode 共模							DF200 Serials Differential Mode 共模					
型号 Model No.	Frequency in MHz 频率						Frequency in MHz 频率					
	0.15	0.5	1	5	10	30	0.15	0.5	1	5	10	30
DF500-010-10	25	37	45	45	45	41	8	17	23	35	35	30
DF500-010-20	25	37	45	45	45	41	8	17	23	35	35	30
DF500-010-30	25	37	45	45	45	41	8	17	23	35	35	30
DF500-012-40	23	35	43	43	43	42	8	17	23	35	35	30
DF500-012-50	23	35	43	43	43	42	8	17	23	35	35	30
DF500-016-60	21	32	42	42	42	42	8	17	23	35	35	30
DF500-016-70	21	32	42	42	42	42	8	17	23	35	35	30
DF500-016-80	21	32	42	42	42	42	8	17	23	35	35	30
DF500-116-90	21	32	42	42	42	42	8	17	23	35	35	30

备注：以上规格为公司标准产品，可根据客户产品定制设计产品性能和尺寸外观。

Remark: Customized products are available according to special performance or dimensions requirements

更多产品请登陆官方网站: <http://www.dephir.com>

For more products please go to official website: <http://www.dephir.com>